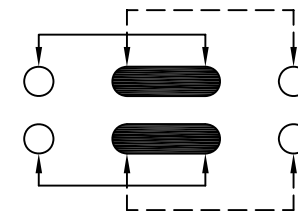
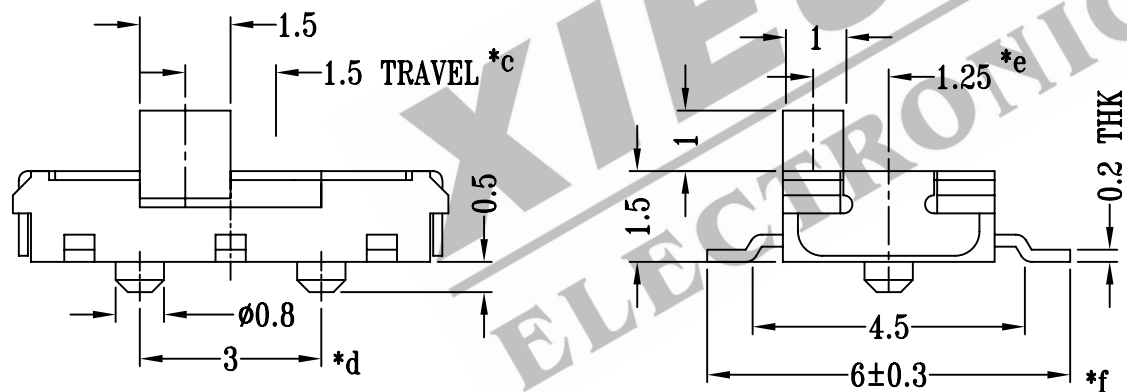
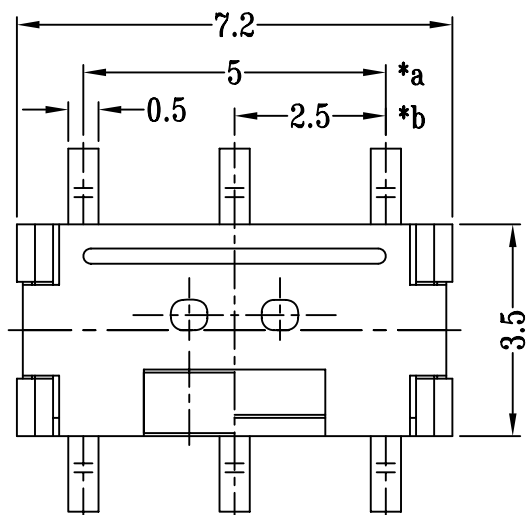
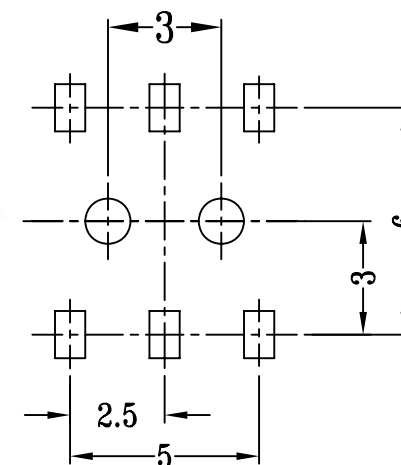


CAD FILE:



**SCHEMATIC (NON-SHORTING)**



**P.C.B LAYOUT**

SCALE 5:1

注:带"\*"表示关键尺寸(6个)

8					TOLERANCE	SHENZHEN XIEJIA ELECTRONICS CO.,LTD.				
7					UNLESS SPECIFIED					
6					WITHIN: 1.5±0.1mm	ISSUE	DATE	DESCRIPTIONS		APPD.
5	CONTACT	PBS STRIP	2	Ag CLAD	OVER : 1.5±0.2mm					
4	SPRING PLATE	SUS	1	WASHING	TITLE : MINI SLIDE SWITCH		UNIT : MM	DRWG NO.: XJ-DR-MS22C01-00		
3	COVER	SUS	1	WASHING	MODEL: MS-22C01		SCALE: 8 : 1	DWN.	ZHOUYU	2004-6-20
2	CASE	PA46/BRASS STRIP	1	BLACK/Ag PLATED	ALL MATERIALS MUST BE COMPLIANT TO ROHS		APPD.	CHK'D	FANGYING	2004-6-20
1	KNOB	PA46	1	BLACK				KANGXINAN	2004-6-20	
NO.	PART NAME	MATERIAL	Q'TY	FINISHING						